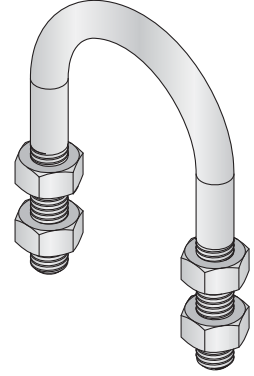
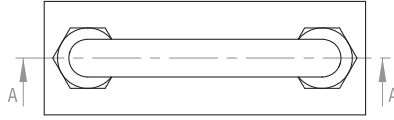
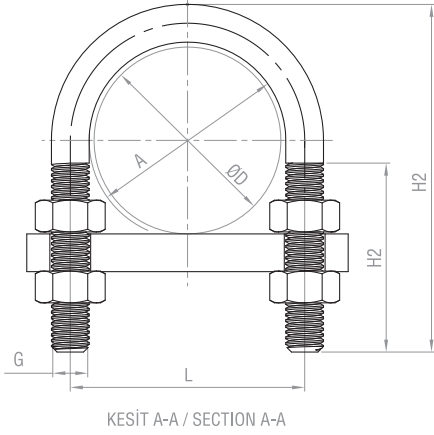


U Bolt Kelepçeler Round Steel U-Bolt

DIN 3570 / Type A



58



DN	Boru Dış Çapı (ØD)	Anma Çapı (R) Boru Dış	A	H1	H2	L	G	Sipariş Kodu Order Code	
	O.D. of Pipe/ Tube/Hose	Nominal Bore Pipe							
	mm	inch							
20	25	-	30	70	40	40	M10	L6UB020.D02	
	26,9	3/4						L6UB025.D02	
25	30	-	38	76		48		M10	L6UB032.D02
	33,7	1							L6UB040.D02
32	38	-	46	86	50	56	M12	L6UB050.D02	
	42,4	1 1/4						L6UB065.D02	
40	44,5	-	52	92		62		M12	L6UB080.D02
	48,3	1 1/2							L6UB100.D02
50	57	-	64	109	60	76	M16	L6UB125.D02	
	60,3	2						L6UB150.D02	
65	76,1	2 1/2	82	125		94		M12	L6UB175.D02
	88,9	3							L6UB200.D02
80	108	-	120	171	70	136	M20	L6UB250.D02	
	114,3	4						L6UB300.D02	
125	133	-	148	191		164		M16	L6UB350.D02
	139,7	5							L6UB400.D02
150	159	-	176	217	192	M16	L6UB400.D02		
	168,3	6					L6UB500.D02		
175	191	-	202	249	218	M24	L6UB500.D02		
	193,7	-					L6UB500.D02		
200	216	-	228	283			248	M20	L6UB500.D02
	219,1	8							L6UB500.D02
250	267	-	282	334	302	M20	L6UB500.D02		
	273	10					L6UB500.D02		
300	318	-	332	385	352	M24	L6UB500.D02		
	323,9	12					L6UB500.D02		
350	355,6	-	378	435	402	M24	L6UB500.D02		
	368	-					L6UB500.D02		
400	406,4	16	428	487	452	M24	L6UB500.D02		
	419	-					L6UB500.D02		
500	508	-	530	589	554	M24	L6UB500.D02		
	521	-					L6UB500.D02		